



EBARA

Certified System
Quality ISO 9001
SAI GLOBAL
Lic. No. QE C22090

SQPB-8002-R1

SELF PRIMING PUMP

MODEL SQPB



APPLICATIONS

1. Irrigation
2. Drainage
3. Sprinklers

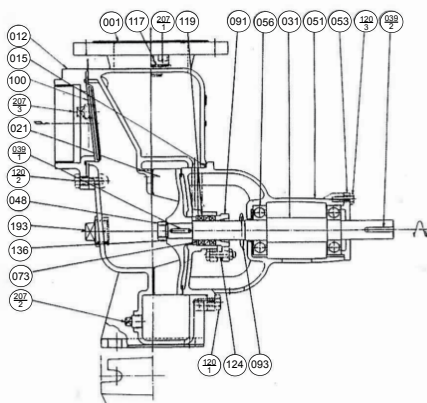
FEATURES

1. No priming is required excepting for initial use.
2. Special designed casing provides very rapid priming for extended piping.
3. Maintenance is facilitated due to packing type.
4. Water mixed with a little sand or mud can be pumped up due to semi - open impeller design.
5. Easy installation with engine for belt driven due to c.c.w rotation.

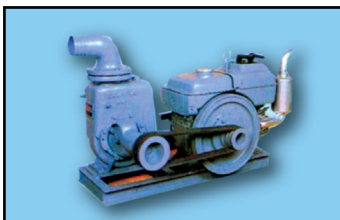
SPECIFICATION MODEL SQPB

- Liquid : River water and Fresh water (Optional : Sea Water)
 Temperature : 0 - 40°C
 Rotation : Counter clock wise when viewed from drive end
 Installation : Outdoors
 Material;
 - Casing : Cast Iron (Optional : Bronze)
 - Impeller : Cast Iron (Optional : Bronze)
 - Shaft : Carbon Steel (Optional : Stainless Steel)
 Construction;
 - Impeller : Semi Open
 - Stuffing Box : Packing
 - Bearing : Sealed Ball Bearing
 Accessories : Strainer, Discharge Elbow, Hose Clamp, suction Hose Nipple, Standard V - Pulley

SECTIONAL VIEW & OTHER

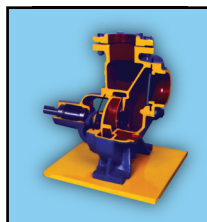


| Part No. | PART NAME | MATERIAL | No. FOR 1 UNIT |
|----------|--------------------|--------------|----------------|
| 001 | Casing | Cast Iron | 1 |
| 012 | Suction Cover | Cast Iron | 1 |
| 021 | Impeller | Cast Iron | 1 |
| 031 | Shaft | Carbon Steel | 1 |
| 039-1 | Key | Carbon Steel | 1 |
| 039-2 | Key | Carbon Steel | 1 |
| 048 | Impeller Nut | Brass | 1 |
| 051 | Bearing Housing | Cast Iron | 1 |
| 053 | Bearing Cover | Cast Iron | 1 |
| 056 | Ball Bearing | - | 2 |
| 073 | Stage Piece | Steel | 1 |
| 091 | Gland | Cast Iron | 1 |
| 093 | Deflector | NBR | 1 |
| 100 | Check Valve | Rubber | 1 |
| 115 | O - Ring | NBR | 1 |
| 117 | Gasket | Rubber | 1 |
| 119 | Gland Packing | Asbestos | 3 |
| 120-1 | Casing Bolt | Steel | 4 |
| 120-2 | Suction Cover Bolt | Steel | 3 |
| 120-3 | Bolt | Steel | 2 |
| 124 | Gland Bolt and Nut | Steel | 1 |
| 136 | Washer | Brass | 1 |
| 193 | Plug | Cast Iron | 2 |
| 207-1 | Priming Plug | Plastic | 1 |
| 207-2 | Drain Plug | Cast Iron | 1 |
| 207-3 | Plug | Cast Iron | 1 |



PUMP COUPLED WITH ENGINE

* This picture doesn't show belt cover for safety belt cover should be install.



CUT MODEL

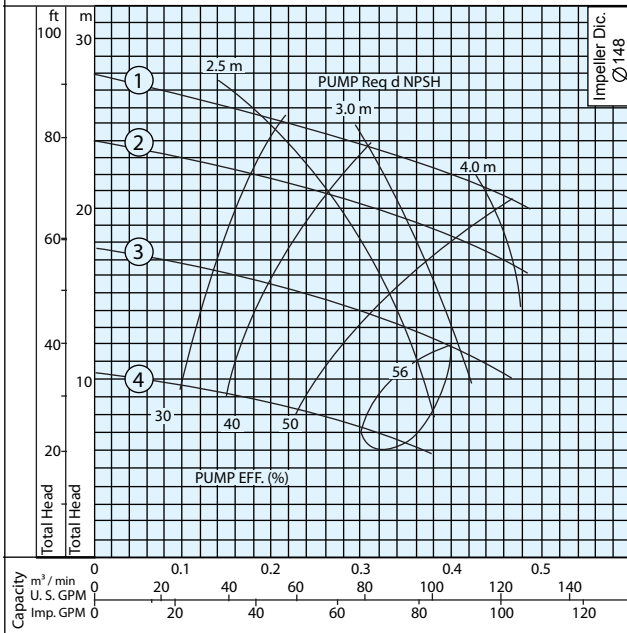


SEMI OPEN IMPELLER

PERFORMANCE CURVE

50 SQPB

According to JIS testing
code B8301.B8032
s.g=1.0 vTS = 1.0Cst

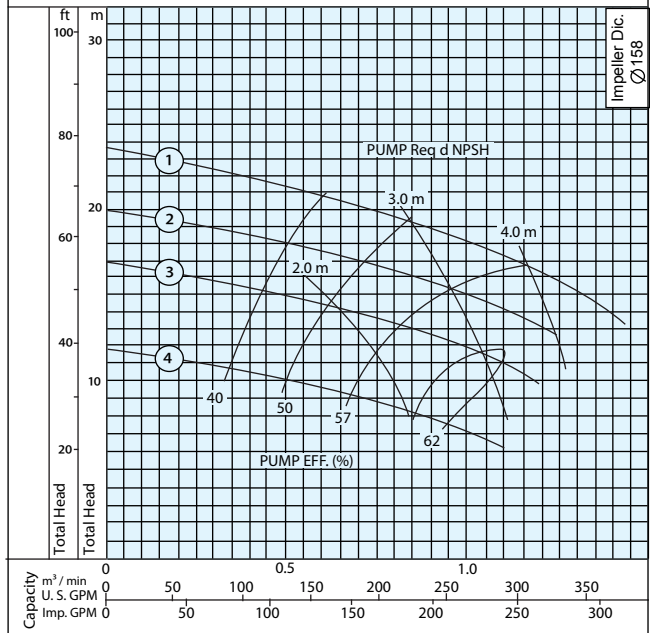


| No. | Pump Speed | Motor Power | Engine Power | Self Priming | |
|-----|------------------------|-------------|--------------|--------------|--------------|
| | | | | Suction Lift | Priming Time |
| 1. | 2900 min ⁻¹ | 3.7 kw | 5 Hp | 7 m | 4 min |
| 2. | 2700 | 2.2 | 3 | 7 | 5 |
| 3. | 2300 | 1.5 | 2 | 7 | 6 |
| 4. | 1750 | 0.75 | 1 | 6 | 7 |

SQPB 5401R2

80 SQPB

According to JIS testing
code B8301.B8032
s.g=1.0 vTS = 1.0Cst

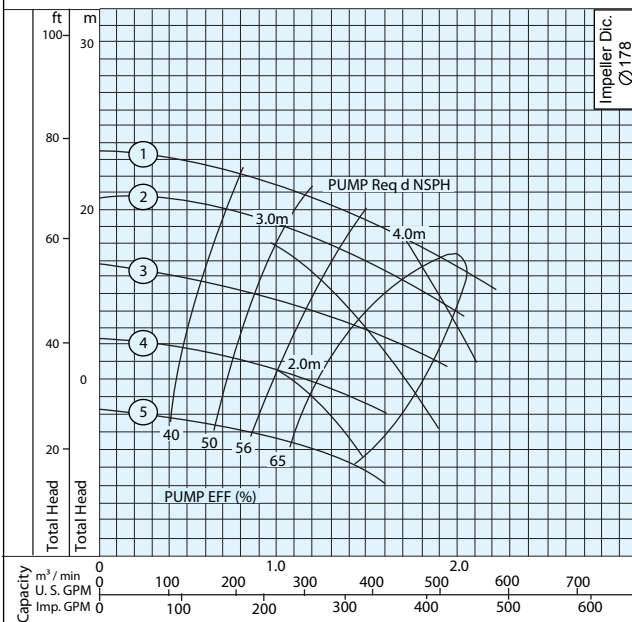


| No. | Pump Speed | Motor Power | Engine Power | Self Priming | |
|-----|------------------------|-------------|--------------|--------------|--------------|
| | | | | Suction Lift | Priming Time |
| 1. | 2500 min ⁻¹ | 5.5 kw | 7.5 Hp | 6 m | 5 min |
| 2. | 2300 | 5.5 | 7.5 | 6 | 5 |
| 3. | 2100 | 3.7 | 5 | 6 | 7 |
| 4. | 1750 | 2.2 | 3 | 7 | 8 |

SQPB 5402R2

100 SQPB

According to JIS testing
code B8301.B8032
s.g=1.0 vTS = 1.0Cst

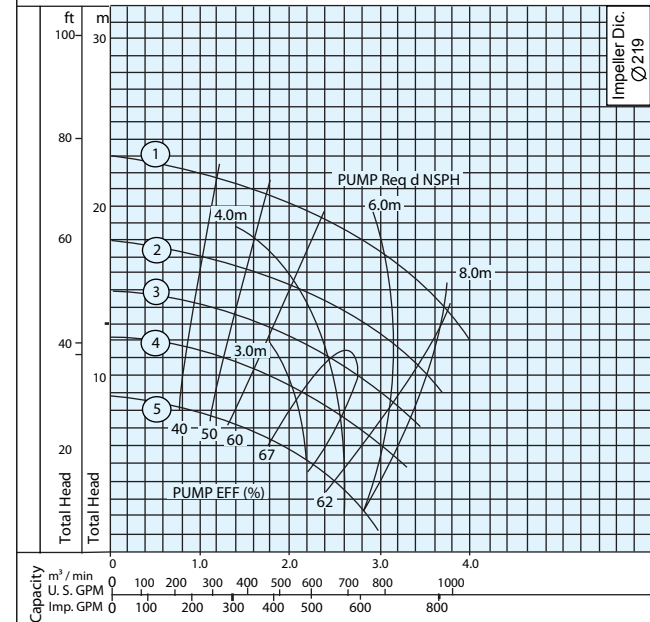


| No. | Pump Speed | Motor Power | Engine Power | Self Priming | |
|-----|------------------------|-------------|--------------|--------------|--------------|
| | | | | Suction Lift | Priming Time |
| 1. | 2400 min ⁻¹ | 11 kw | 15 Hp | 7 m | 5 min |
| 2. | 2250 | 7.5 | 10 | 6 | 6 |
| 3. | 2000 | 5.5 | 7.5 | 6 | 7 |
| 4. | 1750 | 3.7 | 5 | 6 | 8 |
| 5. | 1450 | 2.2 | 3 | 5 | 8 |

SQPB 5403R2

150 SQPB

According to JIS testing
code B8301.B8032
s.g=1.0 vTS = 1.0Cst

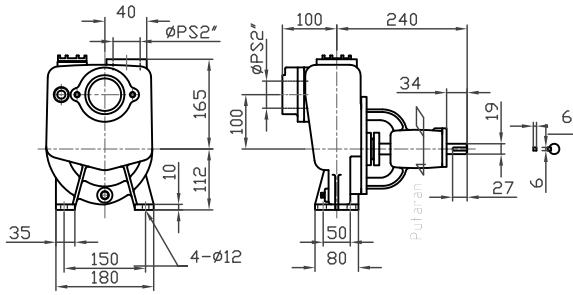


| No. | Pump Speed | Motor Power | Engine Power | Self Priming | |
|-----|------------------------|-------------|--------------|--------------|--------------|
| | | | | Suction Lift | Priming Time |
| 1. | 2000 min ⁻¹ | 15 kw | 20 Hp | 6 m | 5 min |
| 2. | 1750 | 11 | 15 | 6 | 5 |
| 3. | 1600 | 7.5 | 10 | 5.5 | 6 |
| 4. | 1450 | 5.5 | 7.5 | 5 | 6 |
| 5. | 1250 | 3.7 | 5 | 4.5 | 6 |

SQPB 5404R2

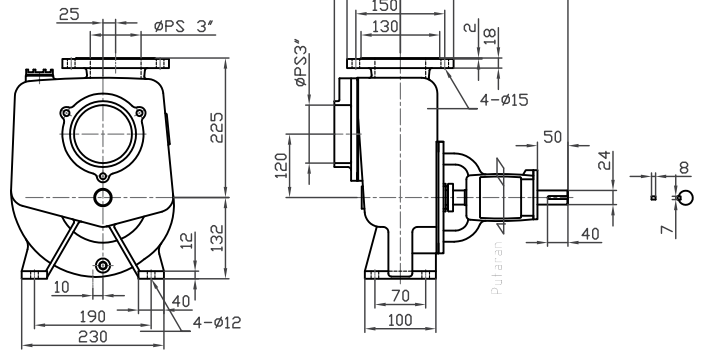
DIMENSION

50 SQPB



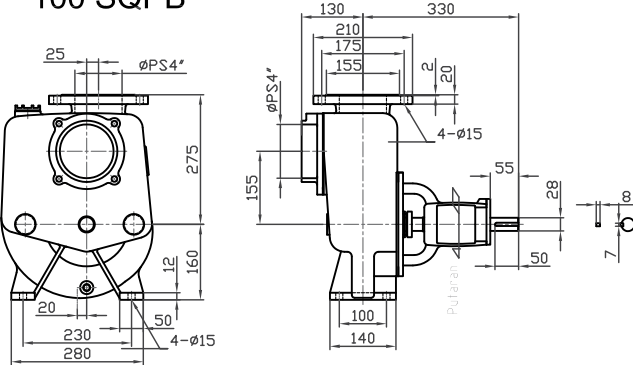
Berat: (17.8 KG)

80 SQPB



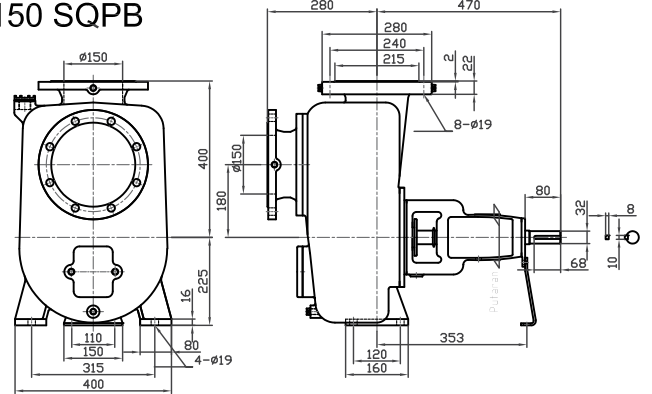
Berat: (27.8 KG)

100 SQPB



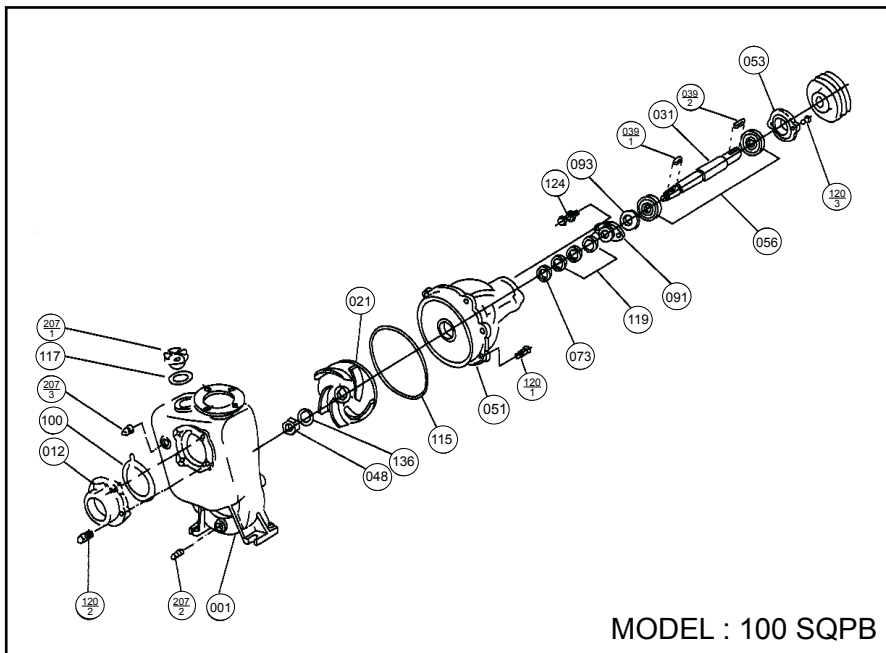
Berat: (42.8 KG)

150 SQPB



Berat: (130.8 KG)

DISASSEMBLY



| Part No. | PART NAME |
|----------|--------------------|
| 001 | CASING |
| 012 | IMPELLER COVER |
| 021 | IMPELLER |
| 031 | SHAFT |
| 039 - 1 | KEY IMPELLER |
| 039 - 2 | KEY PULLEY |
| 048 | IMPELLER NUT |
| 051 | BEARING HOUSING |
| 053 | BEARING COVER |
| 056 | ROLLER BEARING |
| 073 | STAGE PIECE |
| 091 | GLAND |
| 093 | DEFLECTOR |
| 100 | CHECK VALVE |
| 115 | O - RING |
| 117 | GASKET |
| 119 | GLAND PACKING |
| 120 - 1 | CASING BOLT |
| 120 - 2 | SUCTION COVER BOLT |
| 120 - 3 | BOLT |
| 124 | GLAND BOLT AND NUT |
| 136 | WASHER |
| 207 - 1 | PRIMING PLUG |
| 207 - 2 | DRAIN PLUG |
| 207 - 3 | PLUG |



Distributor / Dealer